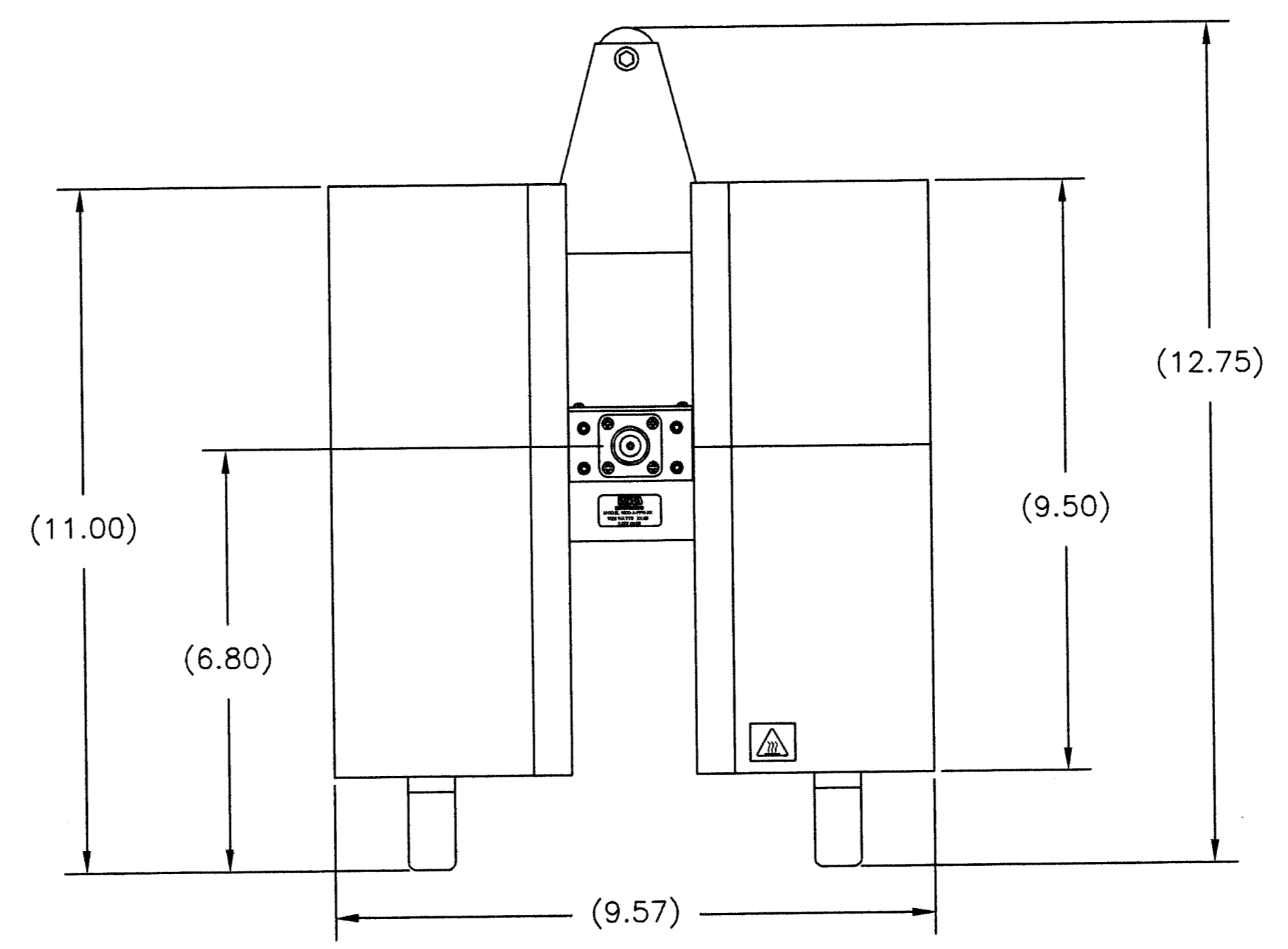
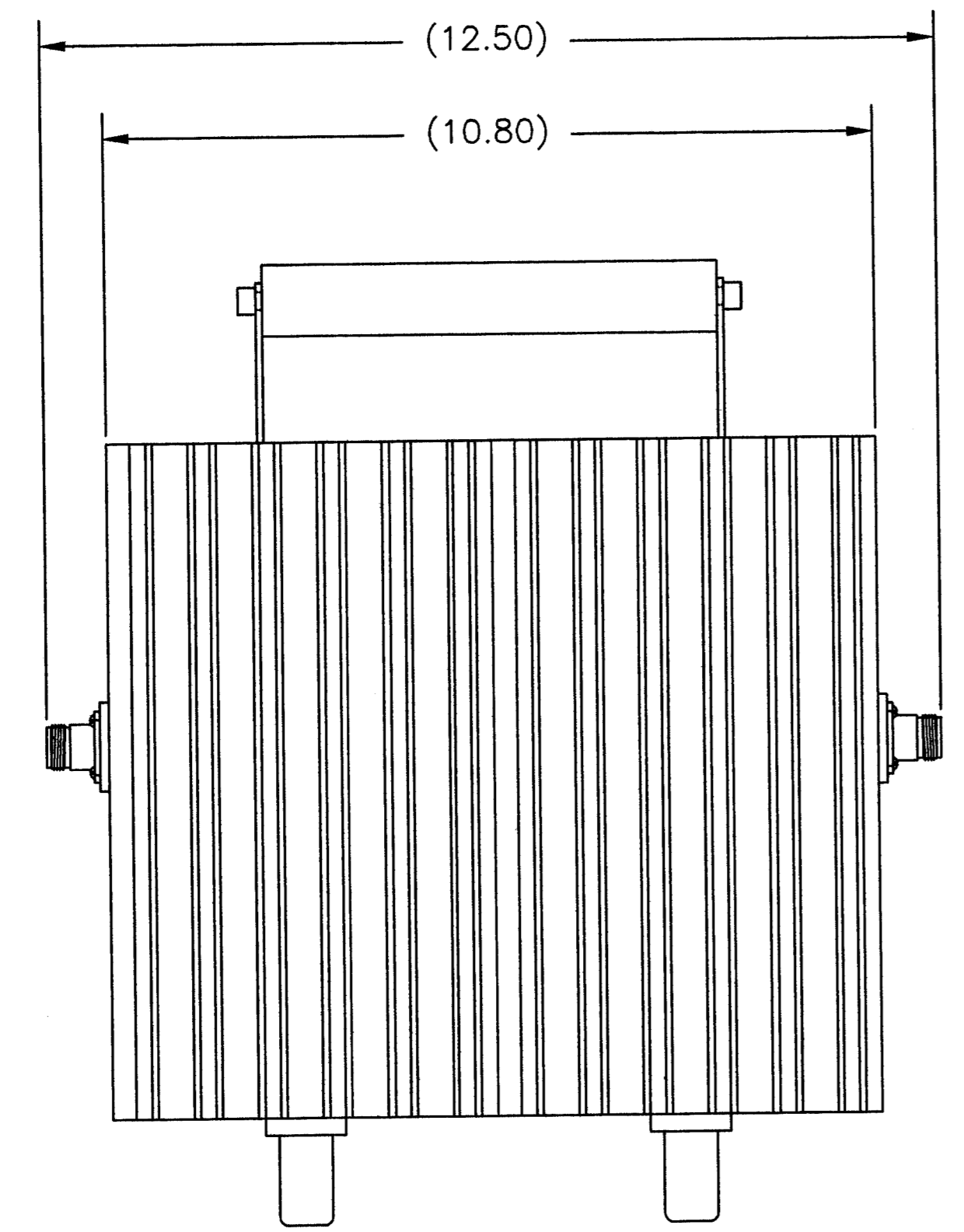
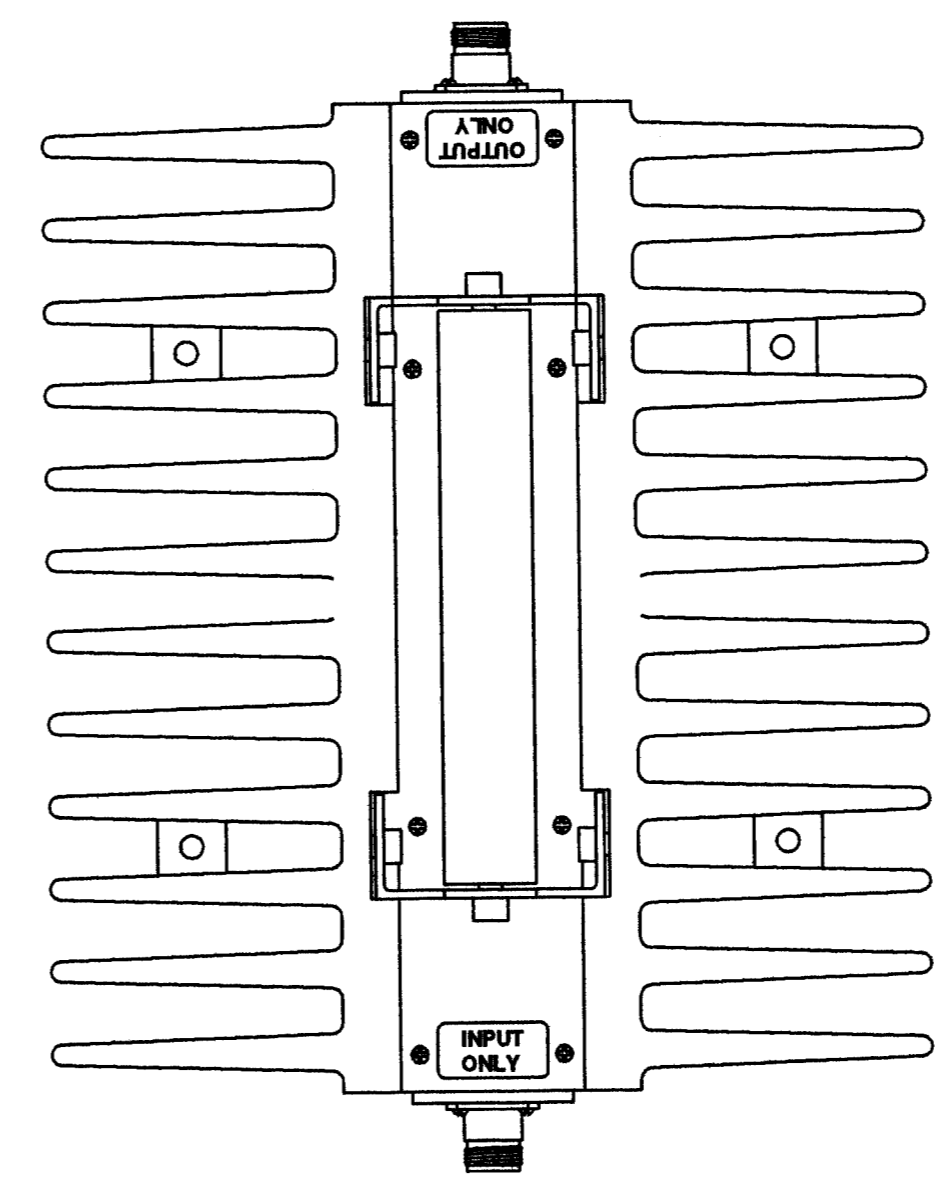


REVISIONS				
ZONE	REV	DESCRIPTION	DATE	APPROVED
A		CONVERT TO BEC FORMAT	DMR 11-8-02	<i>me</i>

SPECIFICATIONS:
 POWER RATING: 1000 WATTS AVG. AT 25°C. (UNI-DIRECTIONAL)
 DERATED LINEARLY TO 50 WATTS AT 125°C
 IMPEDANCE: 50 OHMS NOMINAL
 FREQUENCY RANGE: DC TO 2.4GHz
 VSWR: DC TO 1GHz AT 1.10:1 MAX.
 1GHz TO 2.4 GHz AT 1.25:1 MAX.
 AMBIENT TEMPERATURE: -40°C TO +40°C
 COOLING FIN: ALUMINUM, BLACK ANODIZED
 COVER: ALUMINUM, BLACK ANODIZED
 CONNECTORS: N-TYPE FEMALE
 OPERATING POSITION: AS SHOWN (VERTICALLY)
 NOMINAL SIZE: APPROX. 12.50" L X 12.750" H X 9.57" W
 WEIGHT: APPROX. 26.5 LBS



DASH NO.	dB ATTEN.	ATTENUATOR DC - 1GHz	ACCURACY ±dB 1 - 2.4GHz
-30	30	±1.0	-0.5dB/+1.5dB
-20	20	±0.6	-0.5dB/+1.5dB
-10	10	±0.6	-0.5dB/+1.5dB
-06	6	±0.6	-0.5dB/+1.2dB
-03	3	±0.5	-0.5dB/+1.0dB

DIMENSIONS HEREON ARE FOR CUSTOMER CONVENIENCE AND REFERENCE ONLY. TOLERANCE TO BE APPLIED ONLY WHERE INDIVIDUALLY STATED ON THE RESPECTIVE DIMENSION. -DO NOT SCALE DRAWING-

UNLESS OTHERWISE SPECIFIED DIMENSIONS ARE IN INCHES
 TOLERANCES ARE:
 FRACTIONS DECIMALS ANGLES
 ± 1/64 .004 ± 0.010 ± 30°
 .001 ± 0.005 ± 30°
 DO NOT SCALE DRAWING

MILLIMETERS
 1:16 = 2.54
 1:32 = 1.27

THIS DRAWING IS THE PROPERTY OF THE BIRD ELECTRONIC CORPORATION. THE DESIGNS AND SPECIFICATIONS DISCLOSED HEREON ARE PROPRIETARY AND SHALL NOT BE REPRODUCED, NOR COPIED, NOR USED AS THE BASIS FOR THE MANUFACTURE OR SALE OF APPARATUS OR DEVICES WITHOUT THEIR EXPRESS WRITTEN CONSENT.

BIRD Electronic Corporation
 Cleveland (Solon) Ohio USA

DRAWN	D.M.RINK	DATE	11-8-02
CHECKED			
APPROVED	<i>WARK</i>	DATE	1-22-03
		SCALE	1:1
		COM CODE	AT1
		SHEET	1 OF 1

TITLE: ATTENUATOR, CONVECTION COOLED VERTICAL, N-TYPE FEMALE, 1000W
 SIZE: FSCM NO. 70998
 DWG. NO. 1000-A-FFN-XX
 REV. A

DWG. NO. 1000-A-FFN-XX A